

# Geberit Installation System for Wall-Hung Toilets, 2 x 6 Installations

**Product Specifications**

In-Wall Duofix carrier system and Sigma concealed tank with actuator flush panel or pneumatic push button for washdown wall-hung toilets. System shall fit within minimum 5 1/2" (146 mm) framing wall or plumbing chase, with wood construction or steel framing members placed 19 3/4" (500 mm) apart. Framing members should be capable of supporting a 880 pound (400 kg) load without damage to the wall. Water supply shall have flow diameter no smaller than 1/2" (13 mm) copper tube, and a minimum flow pressure of 2 PSI (0.01 MPa). The toilet bowl shall be a third party listed low-consumption 1.6 GPF (6 LPF) or 1.6/0.8 GPF (6/3 LPF) dual-flush 2-hole wall-hung type. The carrier frame shall be adjustable for bowl rim heights from 15" to 19" (381 to 483 mm). Actuator flush panels shall be diecast zinc, molded plastic or fabricated stainless steel and plated to preserve material integrity. All components shall be compliant with applicable codes and product standards.

**Warranty**

Limited lifetime warranty on tank and carrier, 10-year warranty on fill valve and flush valve. One-year warranty on actuator flush plates.

**Features**

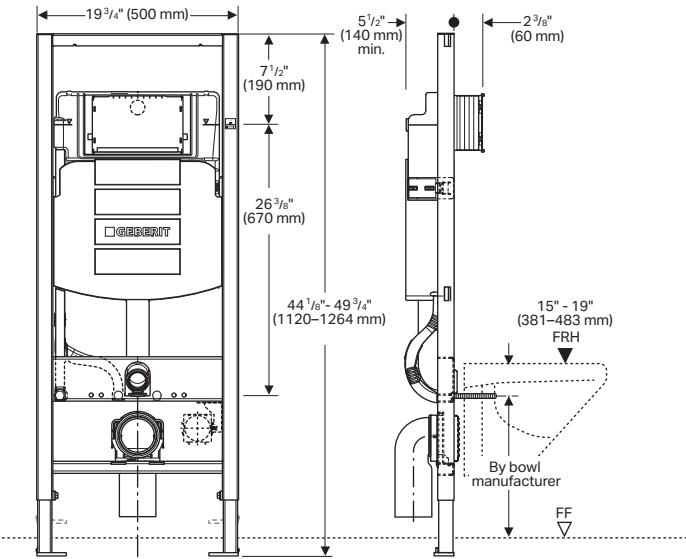
- Water consumption – Dual-flush system allows 1.6/0.8 GPF (6/3 LPF), giving effective flush volume of 1.1 GPF (4 LPF)
- Anti-siphon fill valve
- Impact resistant high density polyethylene (HDPE) tank, insulated to prevent condensation
- 16-gauge, powder-coated, structural-steel tubing rated to 880 lbs. (400 kg) without damage to finished wall or carrier unit
- Bowl rim height adjustments from 15" to 19" (381 to 483 mm)
- 49" (1245 mm) frame height
- For finished walls up to 3 1/2" (9cm) thick
- For use with Geberit Sigma actuator plates (not included)
- Includes installation and rough-in materials

Complies with the latest editions of:

- ASME: A112.6.2, A112.19.5, A112.19.14
- ANSI Z124.4
- CSA B125.3
- ANSI/ASSE 1002
- IAPMO PS-50
- UNAR / UNAR-HET
- ASME A112.19.2
- This concealed tank is WaterSense® compliant when used in combination with the toilet bowl models listed on page 2 of this sheet.
- State of Massachusetts listed

Products marked with comply with the American Disabilities Act (ADA) when installed per the requirements of the latest ADA Accessibility Guidelines (ADAAG) and/or ICC/ANSI A117.1.

Model No.	Description	
111.335.00.5	Geberit Duofix Carrier with Sigma Concealed Tank, 2 x 6 installations for wall-hung toilets	



**ARCHITECT/ENGINEER APPROVAL**

Job Name \_\_\_\_\_

Date \_\_\_\_\_ Quantity \_\_\_\_\_

Model Specified \_\_\_\_\_

Variations Specified \_\_\_\_\_

Customer/Wholesaler \_\_\_\_\_

Contractor \_\_\_\_\_

Architect \_\_\_\_\_

# Geberit Installation System for Wall-Hung Toilets, 2 x 6 Installations



## WaterSense EPA High Efficiency Compatible Wall-hung Toilet Bowl Models

Brand	Model Number*	Model Name	Brand	Model Number*	Model Name	Brand	Model Number*	Model Name	Brand	Model Number*	Model Name
Duravit	220509	2nd Floor	Duravit	221909	PuraVida	Laufen	8.2090.0	Alessi dOt	Laufen	8.2070.8	Palace
	222009	2nd Floor	(cont'd)	21009	Starck 1		8.2090.8	Alessi dOt	(cont'd)	8.2080.1	Palomba
	15609	Caro		16009	Starck 2		8.2097.8	Alessi One	Porcher	47010-11	Solutions
	220909	D-Code		212809**	Starck 2		8.2097.6	Alessi One	TOTO	CT418FG	Aquia
	20709	Darling		253309	Starck 2		8.2067.1	Form		CT486FG	Maris
	213909**	Darling New		253359	Starck 2		8.2096.3	Hi Jet	Villeroy	6612-XX-XX	Aveo
	254409	Darling New		253409	Starck 2		8.2066.1	Hi Jet	& Boch	5664-XX-XX	Bellevue
	254459	Darling New		220009	Starck 3		8.2033.8	Kartell		6653-XX-XX	Century
	254509	Darling New		220209	Starck 3 compact		8.2333.8**	Kartell		6661-XX-XX	Homage
	255709	Darling New		220309	Starck 3		8.2095.0	Laufen Pro		5627-XX-XX	La Belle
	253709	DuraStyle		222509	Starck 3		8.2095.6	Laufen Pro		5628-XX-XX	Memento
	253809	DuraStyle		222609	Starck 3		8.2295.1**	Laufen Pro		6664-XX-XX	Oblic
	254209	DuraStyle		222659	Starck 3		8.2095.2	Laufen Pro Compact		5674-XX-XX	Omnia Architectura
	254259	DuraStyle		222709	Starck 3 compact		8.2096.9	Laufen Pro S		5678-XX-XX	Omnia Architectura Vita
	255409	Esplanade		220409	Starck X		8.2068.0	LB3		5670-XX-XX	Pure Stone
	17509	Bathroom_Foster		221709	Vero		8.2043.5	Living City		5622-XX-XX	Sentique
	17109	Happy D	DXV	D23010S000.XXX	Seagram		8.2055.0	Mimo		5600-XX-XX	Subway 2.0
	222109	Happy D.2	icera	C-6610	Clarity		8.2094.6	Mylife		6600-XX-XX	Subway
	255009	Happy D.2					8.2094.8	Mylife			
	255059	Happy D.2									

## Other Compatible Wall-hung Toilet Bowl Models

Brand	Model Number*	Model Name	Brand	Model Number*	Model Name	Brand	Model Number*	Model Name	Brand	Model Number*	Model Name
Blu	LW6008	Coco	Duravit	221909	PuraVida	Laufen	8.2090.0	Alessi dOt	Porcher	47010-11	Solutions
Bath-works	LW6020	Metrix	(cont'd)	21009	Starck 1		8.2090.8	Alessi dOt	ROCA	346768	Armani
Duravit	LW6030	Coco		16009	Starck 2		8.2097.6	Alessi One		346518	Dama Senso
	18209	1930 Series		253309	Starck 2		8.2097.8	Alessi One		346468	Giralda
	220509	2nd Floor		253359	Starck 2		8.2067.1	Form		346628	Hall
	222009	2nd Floor		253409	Starck 2		8.2066.1	Hi Jet		346568	Happening
	17509	Bathroom_Foster		220009	Starck 3		8.2033.6	Kartell	TOTO	CT418FG	Aquia
	15609	Caro		222509	Starck 3		8.2033.1	Kartell		CT486FG	Maris
	220909	D-Code		220209	Starck 3 compact		8.2095.0	Laufen Pro	Villeroy	6612-XX-XX	Aveo
	222309	D-Code		222709	Starck 3 compact		8.2095.6	Laufen Pro	& Boch	5664-XX-XX	Bellevue
	20709	Darling		222609	Starck 3		8.2095.2	Laufen Pro Compact		6653-XX-XX	Century
	254509	Darling New		222659	Starck 3		8.2096.2	Laufen Pro S		6665-XX-XX	Editorials
	255709	Darling New		220309	Starck 3 extra long		8.2068.0	LB3		6661-XX-XX	Homage
	254409	Darling New		220409	Starck X		8.2043.5	Living City		5627-XX-XX	La Belle
	254459	Darling New		221709	Vero		8.2055.0	Mimo		7631-XX-XX	Magnum
	253709	DuraStyle	DXV	D23010S000.XXX	Seagram		8.2094.6	Mylife		5628-XX-XX	Memento
	253809	DuraStyle	icera	C-2340	Metro		8.2094.8	Mylife		6664-XX-XX	Oblic
	253759	Durastyle		C-6610	Clarity		8.2094.8	Mylife		5684-XX-XX	Omnia
	254209	DuraStyle					8.2070.8	Palace		5674-XX-XX	Omnia Architectura
	254259	DuraStyle	Kallista	P70361-00	Pléo		8.2080.1	Palomba		5678-XX-XX	Omnia Architectura Vita
	255409	Esplanade	Kohler	K-6299	Veil	Mira-	MIREDD220WH	Edenton		5670-XX-XX	Pure Stone
	17109	Happy D		K-6300	Veil for Bidet Seat	belle	MIRWH220WH	Winter Haven		5622-XX-XX	Sentique
	222109	Happy D.2					MIRBD220WH	Bradenton		6661-XX-XX	Strada
	255009	Happy D.2	Lacava	5458	Aquagrande	Neo-	8951	Euro-Urban		6600-XX-XX	Subway
	255059	Happy D.2		4278	Piazza	Metro		Contour		5600-XX-XX	Subway 2.0
				6058	Suave		8957	Metaal			
				2958	Tre		8952	miniLoo			

**Geberit**  
2100 S. Clearwater Drive  
Des Plaines, IL 60018  
USA

P 800-566-2100  
F 847-803-5454

→ [geberit.us](http://geberit.us)

Note: Tank model numbers may have suffix xx.x, where xx.x denotes shipping information.

\* Consult toilet manufacturers for up-to-date model numbers and availability.

\*\* Floor Standing Bowl