

GENERAL SPECIFICATIONS:

Tub Size	65.5" x 32" x 22.25"
Bathing Well	length: 61" top / 41.5" bottom width: 29.75" top / 21.25" bottom depth at overflow: 19.5"
Soaker Weight	279 lbs / 126.55 kg
Maximum Fill	105 gal to overflow
Undermountable	Yes - must specify on order

ELECTRICAL SPECIFICATIONS:

Required Electrical Service	110 Volt
Air Bath	1-15 amp GFCI

CSA Certified C/US; NAHB Certified; ANSI Z124.1.

NOTE: Filling this tub to the maximum may require an above average size or dedicated water heater.

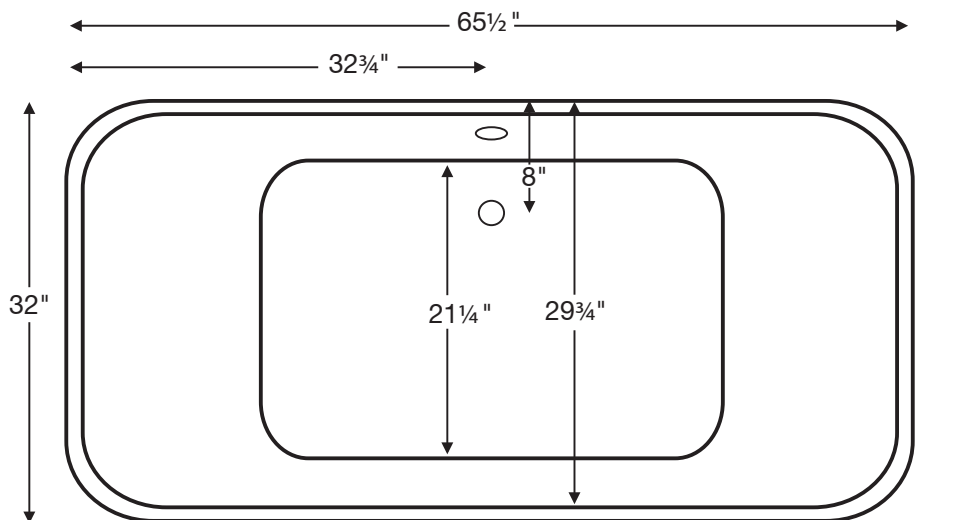
NOTE: Not recommended as a tub / shower combination.

Addison 2 MTCT-160

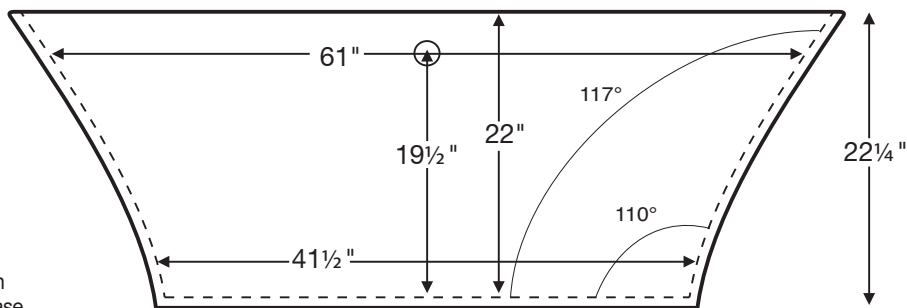
65.5" x 32" x 22.25"



Freestanding Tub



Requires use of a wall-mounted or freestanding tub filler.



Important Notes:

- This tub requires a sub-floor drain installation when ordered without a pedestal base.
- Pedestal base increases overall tub height by 3".

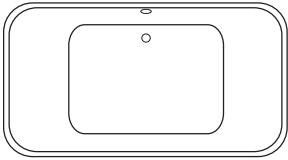

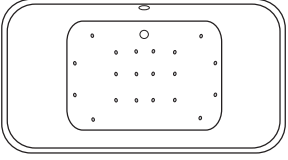


One-piece pedestal base available in engineered solid-surface. Standard with Air Bath; optional with Soaker.

Measurements are $\pm 1/2"$ and are subject to change without notice. Data herein supersedes all previous prior to publication date shown below.



Addison 2 MTCT-160 65.5" x 32" x 22.25"

 <p>Shown as a soaker.</p>	Soaker	 <p>Also available, matching Addison lavatory sink. MTCS-739 from \$899.</p> <p>For more information visit mtibaths.com</p>
	<p style="text-align: center;">Soaker</p> <p style="text-align: center;">Includes exposed Toe-Tap drain kit in Chrome finish.</p>	
Part # S160	\$6,599	
Soaker with Pedestal Base		
<p style="text-align: center;">Soaker with Pedestal Base</p> <p style="text-align: center;">Includes exposed Toe-Tap drain kit in Chrome finish.</p>		
Part # S160 + SSBASE160	\$7,899	
 <p>Shown as an air bath. Jet placements for illustration only.</p>	Air Bath with Pedestal Base	
	<p style="text-align: center;">System Aria Bath with Pedestal Base</p> <p style="text-align: center;">20 air jets, heated air blower, pre-leveled foam base, remote control, keypad shipped loose for remote-mounting, Includes exposed Toe-Tap drain kit in Chrome finish.</p>	
	Part # AST160	

TUB OPTIONS

- Standard Colors - White or Biscuit, matte finish
- Optional Colors - White or Biscuit, gloss finish
Osprey or Raven, gloss finish

Note: For tubs equipped with a pedestal base, 'optional colors' upcharge listed above includes both tub and pedestal.

Additional Colors available for projects only. Please call.

- Quick Ship/Priority (QSPRI) Call for availability.

ACCESSORIES & HARDWARE

• Floor-Mounted High-Flow Tub Filler	N/C
Chrome (FILLC)	add \$849
Brushed Nickel (FILLBN)	add \$1,199
• Drain & Overflow Kits - Toe-Tap with Decorative Exposed Piping	\$520
Chrome Finish (DKSSC)	
Brushed Nickel Finish Upcharge* (DKSSBN)	\$1,987
Special Finish Upcharge* (DKSSSF)	\$2,218
• Pillows (see p. D-13)	STD
Soft "Jelly Bean" Pillow (PIJB)	add \$75
Lounge Pillow (PIL)	add \$500
	\$110
	\$122

**This tub includes a complete drain kit in chrome finish. Above pricing represents finish upcharge ONLY. Contact MTI for pricing on drain kits ordered separately.*

IMPORTANT ORDERING INFORMATION:

- Tub is pre-drilled with an overflow, but can be specified without (see local codes).
(Note: Above package pricing remains the same when tub is ordered with or without an overflow, and a complete drain kit is included with either tub configuration.)
- When tub includes a pedestal base, overall height increases by 3".

OPTIONS INFORMATION

Floor-Mounted High-Flow Tub Filler -
Modern design. Blends with most manufacturer's contemporary design lavatory & shower faucets. Fill rate of 15 gallons per minute at 45 psi. Includes hand-held shower with independent valve. See page D-17 for detailed specifications.



Drain & Overflow Kit -
Toe-Tap design with decorative exposed piping. Complete drain kit is included with tub in chrome finish. Also available in brushed nickel or special finishes*
**Send finish sample to MTI for matching.*



Shown without pedestal base.



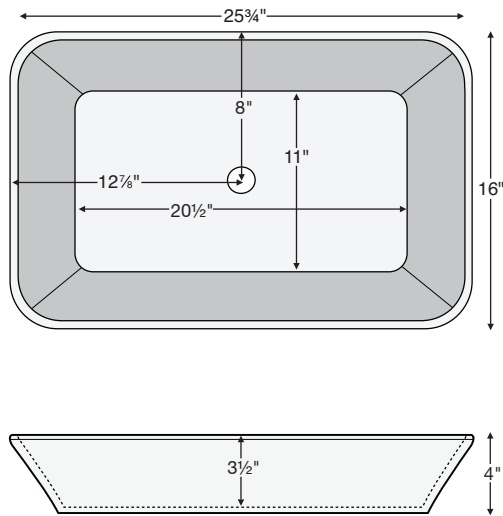
Shown with pedestal base.

Boutique Collection - Lavatory Sinks

CONSTRUCTION AND STANDARD FEATURES

- Single-bowl design; 1.75" drain opening.
- Vessel-style installation only.
- One-piece construction.
- Constructed using MTI's "ESS" (Engineered Solid-Surface) material, which is a mixture of ground natural materials and binding agents that are liquefied, poured and then hardened.
- Approximately 60% of the material is organic, including minerals mined from the earth and dirt, making it "Green".
- Same material and color all the way through, with minor variations due to use of natural minerals.
- Durable, non-porous material is easy to clean.
- Stain, mold and mildew-resistant.
- Quality tested and certified by the NAHB.
- 5-year Limited Residential Warranty.

25.75" x 16" x 4"



NOTE: Sink has no overflow. Requires vessel-style drain kit without overflow. Check local codes.

MTCS-739 Addison

(MTCS739)

\$899

COLORS:

- White or Biscuit, matte finish
- White or Biscuit, gloss finish

Note: At no additional charge, Osprey or Raven colors in gloss finish are available only when ordered with a matching color ESS tub. Additional colors available for projects only. Please call.

OPTIONS

- Quick Ship/Priority. Call for availability. (QUISINKSH)
- Shipping Weight: 30 lbs

STD
Add \$169

\$85

NOTES: Sink rests on top of counter. Cut-out for the drain installation is required. Measurements are $\pm 1/2$ " and are subject to change without notice. Data herein supersedes all previous prior to publication date indicated below.

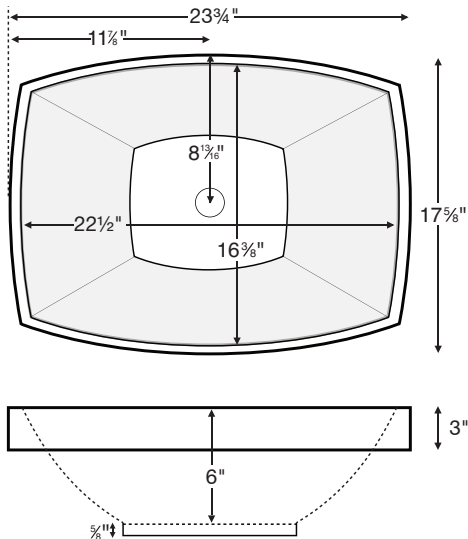
Boutique Collection - Lavatory Sinks

CONSTRUCTION AND STANDARD FEATURES

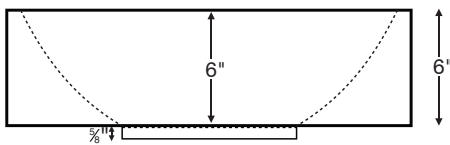
- Semi-recessed, single-bowl design; 1.75" drain opening.
- Standard exterior height is 3". For greater personalization, custom exterior height is available between 3"- 6". Must specify on order.
- One-piece construction.
- Constructed using MTI's "ESS" (Engineered Solid-Surface) material, which is a mixture of ground natural materials and binding agents that are liquefied, poured and then hardened.
- Approximately 60% of the material is organic, including minerals mined from the earth and dirt, making it "Green".
- Same material and color all the way through, with minor variations due to use of natural minerals.
- Durable, non-porous material is easy to clean.
- Stain, mold and mildew-resistant.
- Quality tested and certified by the NAHB.
- 5-year Limited Residential Warranty.

23.75" x 17.625" x 3" *

* NOTE: Standard exterior sink height is 3".
Custom exterior height is available between 3" to 6".
Must specify when ordering.



Shown above with standard exterior height of 3".



Shown above with custom exterior height of 6".



Adrian SR is a semi-recessed sink. When ordered with standard exterior height as shown above, only 3" of the sink will rest on top of vanity.

Even when ordered with the maximum exterior height of 6" as shown below, a portion of the sink bowl will extend below the vanity.



NOTE: Sink has no overflow. Requires vessel-style drain kit without overflow. Check local codes.

MTCS-737 Adrian SR	(MTCS737)	\$899
COLORS:		
White or Biscuit, matte finish		STD
White or Biscuit, gloss finish		Add \$169
Note: At no additional charge, Osprey or Raven colors in gloss finish are available only when ordered with a matching color ESS tub. Additional colors available for projects only. Please call.		
OPTIONS		
Quick Ship / Priority. Call for availability.	(QUISINKSH)	\$85
Shipping Weight: 40 lbs		

NOTES: Sink is semi-recessed in counter. Cut-out for sink bowl is required. Measurements are $\pm 1/2"$ and are subject to change without notice. Data herein supersedes all previous prior to publication date indicated below.