
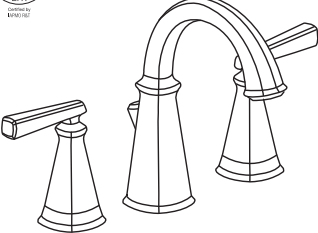


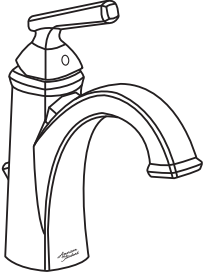


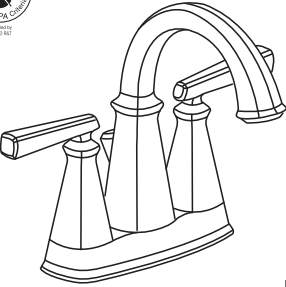






EDGEMERE® – LAVATORY FAUCETS

- Water-conserving 1.2 gpm/4.5 Lpm pressure-compensating aerator

Lavatory Faucets	DESCRIPTION	COLOR/FINISH	LIST PRICE	Master Ctn Qty
  <p>7018.801</p> <p>WIDESPREAD FAUCET</p> <ul style="list-style-type: none"> • Cast spout • Metal lever handles • Cast brass valve bodies with flexible hose connections for 6"-12" (150 - 305 mm) installation • 24" (610 mm) braided flexible supply hose with 3/8" (10 mm) compression connectors • 1/4 turn ceramic disc valve cartridges • Metal Speed Connect® pop-up drain <p>L</p> <p>LEAD FREE</p> <p></p>	<ul style="list-style-type: none"> .002 Polished Chrome 300.00 .278 Legacy Bronze 390.00 .295 Brushed Nickel (PVD) 360.00 	3		
  <p>7018.101</p> <p>MONOBLOCK FAUCET</p> <ul style="list-style-type: none"> • All metal construction • Metal lever handle • 24" (610 mm) braided flexible supply hose with 3/8" (10 mm) compression connectors • Adjustable Hot Limit Safety Stop • Choice of Red/Blue or finish-matched index button • Metal Speed Connect pop-up drain <p>L</p> <p>LEAD FREE</p> <p></p>	<ul style="list-style-type: none"> .002 Polished Chrome 225.00 .278 Legacy Bronze 295.00 .295 Brushed Nickel (PVD) 270.00 	3		
  <p>7018.201</p> <p>CENTERSET FAUCET</p> <ul style="list-style-type: none"> • Cast spout • Metal lever handles • 1/4 turn ceramic disc valve cartridges • Metal Speed Connect® pop-up drain <p>L</p> <p>LEAD FREE</p> <p></p>	<ul style="list-style-type: none"> .002 Polished Chrome 200.00 .278 Legacy Bronze 260.00 .295 Brushed Nickel (PVD) 240.00 	4		
Separate Component:				
  <p>7018.101P</p> <p>ESCUTCHEON PLATE ONLY</p> <ul style="list-style-type: none"> • For use with 7018.101 • Metal deck plate • 5-3/4" (147 mm) • Putty plate included <p>L</p> <p>LEAD FREE</p> <p></p>	<ul style="list-style-type: none"> .002 Polished Chrome 36.00 .278 Legacy Bronze 46.00 .295 Brushed Nickel (PVD) 43.00 			

 **MEETS THE AMERICANS WITH DISABILITIES ACT GUIDELINES AND ANSI A117.1 REQUIREMENTS FOR ACCESSIBLE AND USABLE BUILDING FACILITIES-CHECK LOCAL CODES**

LEAD FREE Faucet contains ≤ 0.25% total lead content by weighted average.




Bathroom Faucets

American Standard

EDGEMERE® – BATH/SHOWER TRIM KITS

- Trim kits for rough valve bodies: R111, R111SS, R115, R115SS, R117, R117SS, R118, R118SS, R119 and R119SS
- Showerhead with 2.5 gpm/9.5 Lpm maximum flow

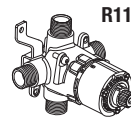
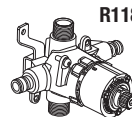
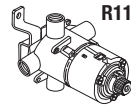
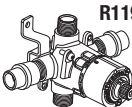
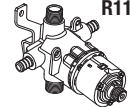
 **VALVE must be ordered separately**

Trim Kits	DESCRIPTION	COLOR/FINISH	LIST PRICE	Master Ctn Qty
 <p>T018.502</p> <p>BATH/SHOWER TRIM KIT</p> <ul style="list-style-type: none"> • Metal lever handle • Wall escutcheon • 5-3/4" (147 mm) showerhead • Shower arm and flange • Metal slip-on diverter tub spout • LESS valve <p>L</p>		.002 Polished Chrome .278 Legacy Bronze .295 Brushed Nickel (PVD)	175.00 230.00 210.00	6
 <p>T018.501</p> <p>SHOWER ONLY TRIM KIT</p> <ul style="list-style-type: none"> • Metal lever handle • Wall escutcheon • 5-3/4" (147 mm) showerhead • Shower arm and flange • LESS valve <p>L</p>		.002 Polished Chrome .278 Legacy Bronze .295 Brushed Nickel (PVD)	155.00 205.00 185.00	6
 <p>T018.500</p> <p>VALVE ONLY TRIM KIT</p> <ul style="list-style-type: none"> • Metal lever handle • Wall escutcheon • LESS valve <p>L</p>		.002 Polished Chrome .278 Legacy Bronze .295 Brushed Nickel (PVD)	135.00 175.00 165.00	6

TEMPERATURE CONTROL VALVE BODIES

- Pressure balance mixing valve cycles from "Off" to "Cold" to "Warm" to "Hot"
- Integral Hot Limit Safety Stop
- 47 mm ceramic disc valve cartridge with back-to-back capability
- Solid brass valve body with nominal 1/2" (13 mm) inlets/outlets
- Roughing-in depth: 1-1/2" – 3-1/4" (38 – 83 mm) measured from center of inlet to finished wall surface
- Plaster guard can be used as thin-wall support plate

 **TRIM must be ordered separately**

Pressure Balance Rough Valve Body	DESCRIPTION	LIST PRICE	MCQ	Pressure Balance Rough Valve Body	DESCRIPTION	LIST PRICE	MCQ
 <p>R111</p> <p>UNIVERSAL INLETS/OUTLETS</p> <ul style="list-style-type: none"> • 1/2" male NPT and sweat inlets/outlets • Inlets accept: 1/2" copper, 1/2" iron pipe, PEX or CPVC adapters <p>85.00</p> <p>12</p>		 <p>R118</p> <p>1/2" PEX INLETS/UNIVERSAL OUTLETS</p> <ul style="list-style-type: none"> • Used with COLD EXPANSION SYSTEM (ASTM F1960) <p>85.00</p> <p>6</p>					
<p>R111SS</p> <p>SAME AS ABOVE</p> <ul style="list-style-type: none"> • With screwdriver stops <p>106.00</p> <p>12</p>		<p>R118SS</p> <p>SAME AS ABOVE</p> <ul style="list-style-type: none"> • With screwdriver stops <p>106.00</p> <p>6</p>					
 <p>R115</p> <p>FEMALE THREAD IPS INLETS/OUTLETS</p> <ul style="list-style-type: none"> • Inlets accept: 1/2" iron pipe, PEX or CPVC adapters <p>85.00</p> <p>12</p>		 <p>R119</p> <p>1/2" CPVC INLETS/UNIVERSAL OUTLETS</p> <ul style="list-style-type: none"> • Inlets have pre-installed CPVC adapters <p>105.00</p> <p>6</p>					
<p>R115SS</p> <p>SAME AS ABOVE</p> <ul style="list-style-type: none"> • With screwdriver stops <p>106.00</p> <p>12</p>		<p>R119SS</p> <p>SAME AS ABOVE</p> <ul style="list-style-type: none"> • With screwdriver stops <p>125.00</p> <p>6</p>					
 <p>R117</p> <p>1/2" PEX INLETS/UNIVERSAL OUTLETS</p> <ul style="list-style-type: none"> • Used with CRIMP RING SYSTEM (ASTM F1807) <p>85.00</p> <p>6</p>							
<p>R117SS</p> <p>SAME AS ABOVE</p> <ul style="list-style-type: none"> • With screwdriver stops <p>106.00</p> <p>6</p>							

MCQ – Master Carton Quantity

 **MEETS THE AMERICANS WITH DISABILITIES ACT GUIDELINES AND ANSI A117.1 REQUIREMENTS FOR ACCESSIBLE AND USABLE BUILDING FACILITIES-CHECK LOCAL CODES**

EDGEMERE® – BATH/SHOWER TRIM KITS

- Trim kits for rough valve bodies: **R111, R111SS, R115, R115SS, R117, R117SS, R118, R118SS, R119 and R119SS**
- Showerhead with 1.8 gpm/6.8 Lpm maximum flow

VALVE must be ordered separately

Trim Kits	DESCRIPTION	COLOR/FINISH	LIST PRICE	Master Ctn Qty
<p>T018.508</p> <p>BATH/SHOWER TRIM KIT</p> <ul style="list-style-type: none"> • Metal lever handle • Wall escutcheon • 5-3/4" (147 mm) showerhead • Shower arm and flange • Metal slip-on diverter tub spout • LESS valve <p>L </p>	<p>.002 Polished Chrome .278 Legacy Bronze .295 Brushed Nickel (PVD)</p>	<p>175.00 230.00 210.00</p>	6	
<p>T018.507</p> <p>SHOWER ONLY TRIM KIT</p> <ul style="list-style-type: none"> • Metal lever handle • Metal wall escutcheon • 5-3/4" (147 mm) showerhead • Shower arm and flange • LESS valve <p>L </p>	<p>.002 Polished Chrome .278 Legacy Bronze .295 Brushed Nickel (PVD)</p>	<p>155.00 205.00 185.00</p>	6	

TEMPERATURE CONTROL VALVE BODIES

- Pressure balance mixing valve cycles from "Off" to "Cold" to "Warm" to "Hot"
- Integral Hot Limit Safety Stop
- 47 mm ceramic disc valve cartridge with back-to-back capability
- Solid brass valve body with nominal 1/2" (13 mm) inlets/outlets
- Roughing-in depth: 1-1/2" – 3-1/4" (38 – 83 mm) measured from center of inlet to finished wall surface
- Plaster guard can be used as thin-wall support plate

TRIM must be ordered separately

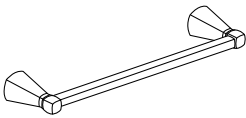
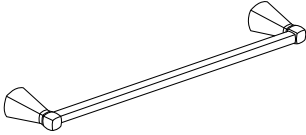
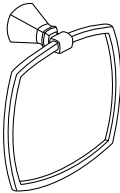
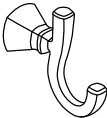
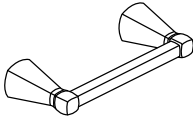
Pressure Balance Rough Valve Body	DESCRIPTION	LIST PRICE	MCQ	Pressure Balance Rough Valve Body	DESCRIPTION	LIST PRICE	MCQ
<p>R111</p> <p>UNIVERSAL INLETS/OUTLETS</p> <ul style="list-style-type: none"> • 1/2" male NPT and sweat inlets/outlets • Inlets accept: 1/2" copper, 1/2" iron pipe, PEX or CPVC adapters <p>85.00 12</p>	<p>R118</p> <p>1/2" PEX INLETS/UNIVERSAL OUTLETS</p> <ul style="list-style-type: none"> • Used with COLD EXPANSION SYSTEM (ASTM F1960) <p>85.00 6</p>						
<p>R111SS</p> <p>SAME AS ABOVE</p> <ul style="list-style-type: none"> • With screwdriver stops <p>106.00 12</p>	<p>R118SS</p> <p>SAME AS ABOVE</p> <ul style="list-style-type: none"> • With screwdriver stops <p>106.00 6</p>						
<p>R115</p> <p>FEMALE THREAD IPS INLETS/OUTLETS</p> <ul style="list-style-type: none"> • Inlets accept: 1/2" iron pipe, PEX or CPVC adapters <p>85.00 12</p>	<p>R119</p> <p>1/2" CPVC INLETS/UNIVERSAL OUTLETS</p> <ul style="list-style-type: none"> • Inlets have pre-installed CPVC adapters <p>105.00 6</p>						
<p>R115SS</p> <p>SAME AS ABOVE</p> <ul style="list-style-type: none"> • With screwdriver stops <p>106.00 12</p>	<p>R119SS</p> <p>SAME AS ABOVE</p> <ul style="list-style-type: none"> • With screwdriver stops <p>125.00 6</p>						
<p>R117</p> <p>1/2" PEX INLETS/UNIVERSAL OUTLETS</p> <ul style="list-style-type: none"> • Used with CRIMP RING SYSTEM (ASTM F1807) <p>85.00 6</p>							
<p>R117SS</p> <p>SAME AS ABOVE</p> <ul style="list-style-type: none"> • With screwdriver stops <p>106.00 6</p>							

MCQ – Master Carton Quantity

MEETS THE AMERICANS WITH DISABILITIES ACT GUIDELINES AND ANSI A117.1 REQUIREMENTS FOR ACCESSIBLE AND USABLE BUILDING FACILITIES-CHECK LOCAL CODES

EDGEMERE® – BATH ACCESSORIES

- All metal construction
- Concealed mounting

Bath Accessories	DESCRIPTION	COLOR/FINISH	LIST PRICE	Master Ctn Qty
 <p>7018.018</p> <p>18" (457 mm) TOWEL BAR</p> <ul style="list-style-type: none"> • Brass bar <p>L</p>		.002 Polished Chrome .278 Legacy Bronze .295 Brushed Nickel (PVD)	55.00 75.00 65.00	6
 <p>7018.024</p> <p>24" (610 mm) TOWEL BAR</p> <ul style="list-style-type: none"> • Brass bar <p>L</p>		.002 Polished Chrome .278 Legacy Bronze .295 Brushed Nickel (PVD)	60.00 80.00 70.00	6
 <p>7018.190</p> <p>TOWEL RING</p> <ul style="list-style-type: none"> • 7-1/4" (185 mm) diameter ring <p>L</p>		.002 Polished Chrome .278 Legacy Bronze .295 Brushed Nickel (PVD)	40.00 50.00 45.00	6
 <p>7018.210</p> <p>ROBE HOOK</p> <p>L</p>		.002 Polished Chrome .278 Legacy Bronze .295 Brushed Nickel (PVD)	30.00 40.00 35.00	6
 <p>7018.230</p> <p>TOILET PAPER HOLDER</p> <p>L</p>		.002 Polished Chrome .278 Legacy Bronze .295 Brushed Nickel (PVD)	45.00 60.00 55.00	6