

Geberit Installation System for 1.6/0.8 GPF (6/3 LPF) Wall-Hung Toilets, Pre-Wall Installations

Product Specifications

In-Wall Duofix carrier system and concealed tank with actuator flush panel or pneumatic push button for washdown wall-hung toilets. System shall fit within minimum 5½" (140 mm) framing wall or plumbing chase, with wood construction or steel framing members placed 19¾" (500 mm) apart. Framing members should be capable of supporting a 880 pound (400 kg) load without damage to the wall. Water supply shall have flow diameter no smaller than 1/2" (13 mm) copper tube, and a minimum flow pressure of 2 PSI (0.01 MPa). The toilet bowl shall be a third party listed low-consumption 1.6 GPF (6 LPF) or 1.6/0.8 GPF (6/3 LPF) dual-flush 2-hole wall-hung type. The carrier frame shall be adjustable for bowl rim heights from 15" to 19" (381 to 483 mm). Actuator flush panels shall be diecast zinc, molded plastic, glass or fabricated stainless steel and plated to preserve material integrity. All components shall be compliant with applicable codes and product standards.

Warranty


Limited lifetime warranty on tank and carrier, 10-year warranty on fill valve and flush valve. One-year warranty on actuator flush plates.


Features

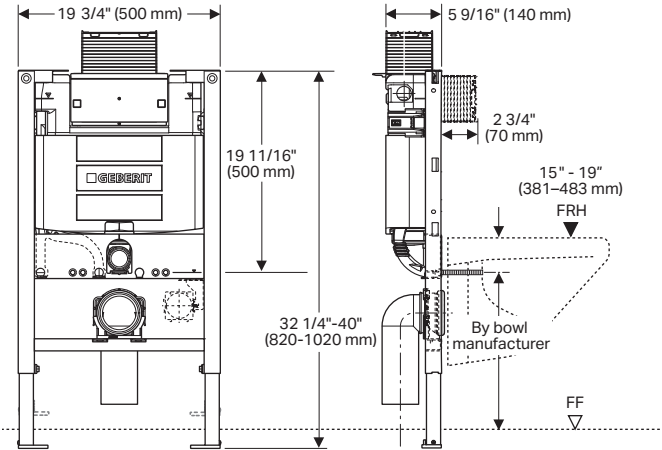
- Water consumption – Dual-flush system allows 1.6/0.8 GPF (6/3 LPF), giving effective flush volume of 1.1 GPF (4 LPF)
- Anti-siphon fill valve
- Impact resistant high density polyethylene (HDPE) tank, insulated to prevent condensation
- 16-gauge, powder-coated, structural-steel tubing rated to 880 lbs. (400 kg) without damage to finished wall or carrier unit
- Bowl rim height adjustments from 15" to 19" (381 to 483 mm)
- 32¼" (820 mm) frame height
- For finished walls up to 3½" (9 cm) thick
- Small inspection opening for Omega flush actuator plates
- Includes installation and rough-in materials

Complies with the latest editions of:

- ASME: A112.6.2, A112.19.5, A112.19.14
- ANSI Z124.4
- CSA B125.3
- ANSI/ASSE 1002
- IAPMO PS-50
- UNAR / UNAR-HET
- ASME A112.19.2
- State of Massachusetts listed

Products marked with  comply with the American Disabilities Act (ADA) when installed per the requirements of the latest ADA Accessibility Guidelines (ADAAG) and/or ICC/ANSI A117.1.

Model No.	Description	
111.012.00.1	Geberit Duofix Carrier with Omega Concealed Tank, pre-wall installations for wall-hung toilets	



ARCHITECT/ENGINEER APPROVAL

Job Name _____

Date _____ Quantity _____

Model Specified _____

Variations Specified _____

Customer/Wholesaler _____

Contractor _____

Architect _____

Geberit Installation System for 1.6/0.8 GPF (6/3 LPF) Wall-Hung Toilets, Pre-Wall Installations

Other Compatible Wall-hung Toilet Bowl Models

Brand	Model Number*	Model Name	Brand	Model Number*	Model Name	Brand	Model Number*	Model Name
Blu	LW6008	Coco	Duravit	253009	ME by Starck	Mirabelle	MIRBD220WH	Bradenton
Bathworks	LW6020	Metrix	(continued)	256109	P3 Comforts		MIREDD220WH	Edenton
	LW6030	Coco		256159	P3 Comforts		MIRWH220WH	Winter Haven
	LW6030A	Coco		221909	PuraVida	Neo-Metro	8951	Euro-Urban Contour
Devon	IBWCSEBLUES	Blues		021009	Starck 1		8957	Metaal
& Devon	IBWCSET	Etoile		016009	Starck 2		8952	miniLoo
	2IBWCSESET	Etoile		253309	Starck 2	Porcher	47010-11	Solutions
	IBWCSET	New Etoile		253359	Starck 2	ROCA	346768	Armani
	2IBWCSESET	New Etoile		253409	Starck 2		346518	Dama Senso
	IBWCSRO	Rose		220009	Starck 3		346468	Giralda
Duravit	018209	1930 Series		220109	Starck 3		346628	Hall
	220509	2nd Floor		222509	Starck 3		346568	Happening
	222009	2nd Floor		220209	Starck 3 compact	TOTO	CT418FG	Aquia
	017509	Bathroom_Foster		222709	Starck 3 compact		CT486FG	Maris
	015609	Caro		252709	Starck 3	Tynan	7531.XX	Aine
	019809	Caro		222609	Starck 3	Plumbing	7532.XX	Fionn
	019849	Caro		222659	Starck 3	Villeroy	6612-YY-XX	Aveo
	221109	D-Code		220309	Starck 3 extra long	& Boch	4684-YY-XX	Architectura
	253509	D-Code		220609	Starck 3		5664-YY-XX	Bellevue
	220909	D-Code		221509	Starck 3		6653-YY-XX	Century
	222309	D-Code		220409	Starck X		6665-YY-XX	Editionals
	020709	Darling		221709	Vero		6661-10-XX	Hommage
	254509	Darling New	Icera	C-6610	Clarity		5627-YY-XX	La Belle
	255709	Darling New		C-2340	Metro Loft		7631-YY-XX	Magnum
	254409	Darling New		C-2370	Piano		5628-YY-XX	Memento
	254459	Darling New	Kallista	P70361-00	Pléo		6664-YY-XX	Oblic
	256309	Darling New	Kohler	K-6299	Veil		5684-YY-XX	Omnia Architectura
	256359	Darling New		K-6300	Veil for Bidet Seat		5674-YY-XX	Omnia Architectura
	253609	DuraStyle	Lacava	5458	Aquagrande		5678-YY-XX	Omnia Architectura Vita
	253709	DuraStyle		5051WC	Giulia		5670-YY-XX	Pure Stone
	253809	DuraStyle		4278	Piazza		5622-YY-XX	Sentique
	253909	DuraStyle		6058	Suave		6661-YY-XX	Strada
	254009	DuraStyle		2958	Tre		4609-YY-XX	Subway
	254109	DuraStyle	Laufen	8.2090.0	Alessi d0t		6600-YY-XX	Subway
	253759	Durastyle		8.2090.8	Alessi d0t		5600-YY-XX	Subway
	254209	DuraStyle		8.2097.6	Alessi One		5614-YY-XX	Subway
	254259	DuraStyle		8.2097.8	Alessi One			
	255109	DuraStyle		8.2067.1	Form			
	255209	DuraStyle		8.2066.1	Hi Jet			
	255909	DuraStyle		8.2033.8	Kartell			
	256209	DuraStyle Basic		8.2033.6	Kartell			
	255409	Esplanade		8.2033.1	Kartell			
	017109	Happy D		8.2095.0	Laufen Pro			
	222109	Happy D.2		8.2096.9	Laufen Pro			
	222209	Happy D.2		8.2095.6	Laufen Pro			
	255009	Happy D.2		8.2095.2	Laufen Pro Compact			
	255059	Happy D.2		8.2096.2	Laufen Pro S			
	252909	ME by Starck		8.2068.0	LB3			
	252959	ME by Starck		8.2068.8	LB3			
				8.2043.5	Living			
				8.2043.9	Living			
				8.2055.0	Mimo			
				8.2094.6	Mylife			
				8.2094.8	Mylife			
				8.2070.8	Palace			
				8.2080.1	Palomba			
				8.2080.8	Palomba			
				8.2096.3	Pro S			

*Consult toilet manufacturers for up-to-date model numbers and availability.

Geberit
2100 S. Clearwater Drive
Des Plaines, IL 60018
USA

P 800-566-2100
F 847-803-5454

→ geberit.us