

Geberit Installation System for Wall-Hung Toilets, 2 x 4 Installations

Product Specifications

Carrier system and concealed tank with actuator flush panel or pneumatic push button for washdown wall-hung toilets. System shall fit within minimum 3½" (90 mm) framing wall or plumbing chase, with wood construction or steel framing members placed 19¾" (500 mm) apart. Framing members should be capable of supporting a 880 pound (400 kg) load without damage to the wall. Water supply shall have flow diameter no smaller than 1/2" (13 mm) copper tube, and a minimum flow pressure of 2 PSI (0.01 MPa). The toilet bowl shall be a third party listed low-consumption 1.6 GPF (6 LPF) or 1.6/0.8 GPF (6/3 LPF) dual-flush 2-hole wall-hung type. The carrier frame shall be adjustable for bowl rim heights from 15" to 19" (381 to 483 mm). Actuator flush panels shall be diecast zinc, molded plastic or fabricated stainless steel and plated to preserve material integrity. All components shall be compliant with applicable codes and product standards.

Warranty

Limited lifetime warranty on tank and carrier, 10-year warranty on fill valve and flush valve. One-year warranty on actuator flush plates.

Features

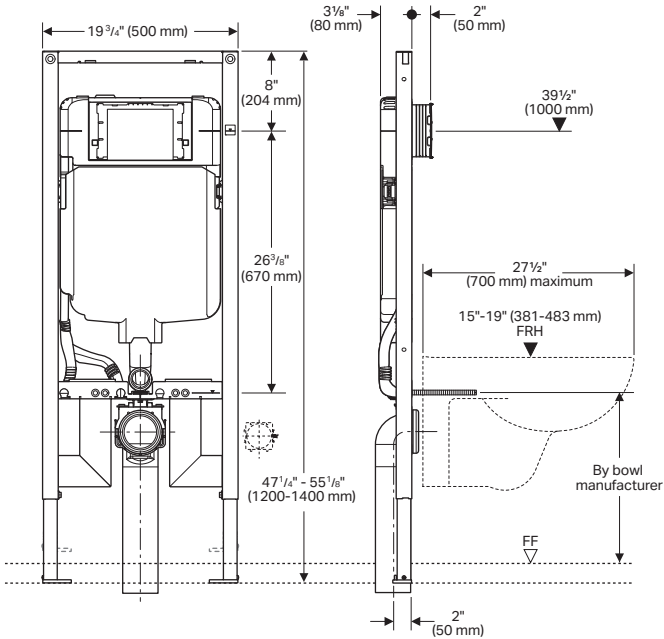
- Water consumption – Dual-flush system allows 1.6/0.8 GPF (6/3 LPF), giving effective flush volume of 1.1 GPF (4 LPF)
- Anti-siphon fill valve
- Impact resistant high density polyethylene (HDPE) tank, insulated to prevent condensation
- 16-gauge, powder-coated, structural-steel tubing rated to 880 lbs. (400 kg) without damage to finished wall or carrier unit
- Bowl rim height adjustments from 15" to 19" (381 to 483 mm)
- 47" (1190 mm) nominal frame height
- For finished walls up to 3½" (9 cm) thick
- Medium inspection opening for Sigma series flush actuator plates
- Includes installation and rough-in materials

Complies with the latest editions of:

- ASME: A112.6.2, A112.19.5, A112.19.14
- ANSI Z124.4
- CSA B125.3
- ANSI/ASSE 1002
- IAPMO PS-50
- UNAR / UNAR-HET
- ASME A112.19.2
- State of Massachusetts listed (pending)

Products marked with comply with the American Disabilities Act (ADA) when installed per the requirements of the latest ADA Accessibility Guidelines (ADAAG) and/or ICC/ANSI A117.1.

Model No.	Description
111.798.00.1	Geberit Duofix Carrier with Sigma Concealed Tank , 2 x 4 installations for wall-hung toilets



ARCHITECT/ENGINEER APPROVAL

Job Name _____

Date _____ Quantity _____

Model Specified _____

Variations Specified _____

Customer/Wholesaler _____

Contractor _____

Architect _____

Geberit Installation System for Wall-Hung Toilets, 2 x 4 Installations

Other Compatible Wall-hung Toilet Bowl Models

Brand	Model Number*	Model Name
Blu	LW6008	Coco
Bathworks	LW6020	Metrix
	LW6030	Coco
Duravit	18209	1930 Series
	220509	2nd Floor
	222009	2nd Floor
	17509	Bathroom_Foster
	15609	Caro
	220909	D-Code
	222309	D-Code elongated
	20709	Darling
	254509	Darling New
	254409	Darling New elongated
	253809	Durastyle
	253709	Durastyle elongated
	254209	Durastyle elongated
	255409	Esplanade
	17109	Happy D
	222109	Happy D.2
	255009	Happy D.2 elongated
	221909	PuraVida
	21009	Starck 1
	16009	Starck 2
	253309	Starck 2 elongated
	220009	Starck 3
	222509	Starck 3
220209	Starck 3 compact	
222709	Starck 3 compact	
222609	Starck 3 elongated	

Brand	Model Number*	Model Name
Duravit	222659	Starck 3 elongated
	220309	Starck 3 extra long
cont'd	220409	Starck X
	221709	Vero
	DXV	D23010S000.XXX
Icera	C-2340	Metro
	C-6610	Clarity elongated
Kohler	K-6299	Veil
	K-6300	Veil for Bidet Seat
Lacava	5458	Aquagrande
	4278	Piazza
	6058	Suave
	2958	Tre
Laufen	8.2090.0	Alessi d0t
	8.2090.8	Alessi d0t
	8.2097.8	Alessi One
	8.2067.1	Form
	8.2097.6	Alessi One
	8.2095.0	Laufen Pro
	8.2095.6	Laufen Pro
	8.2095.2	Laufen Pro Compact
	8.2068.0	LB3
	8.2043.5	Living City
8.2055.0	Mimo	
8.2094.6	Mylife	
8.2094.8	Mylife	
8.2070.8	Palace	
8.2080.1	Palomba	

Brand	Model Number*	Model Name
Mirabelle	MIREDD220WH	Edenton
	MIRWH220WH	Winter Haven
	MIRBD220WH	Bradenton
Neo-Metro	8951	Euro-Urban Contour
	8957	Metaal
	8952	miniLoo
Porcher	47010-11	Solutions
ROCA	346768	Armani
	346518	Dama Senso
	346468	Giralda
	346628	Hall
	346568	Happening
TOTO	CT418FG	Aquia
	CT486FG	Maris
Villeroy & Boch	6612-XX-XX	Aveo
	5664-XX-XX	Bellevue
	6653-XX-XX	Century
	6665-XX-XX	Editorials
	6661-XX-XX	Hommage
	5627-XX-XX	La Belle
	7631-XX-XX	Magnum
	5628-XX-XX	Memento
	6664-XX-XX	Oblic
	5684-XX-XX	Omnia
	5674-XX-XX	Omnia Architectura
	5678-XX-XX	Omnia Architectura Vita
	5670-XX-XX	Pure Stone
5622-XX-XX	Sentique	
6661-XX-XX	Strada	
6600-XX-XX	Subway	
5600-XX-XX	Subway 2.0	

Note: Tank model numbers may have suffix xx.x, where xx.x denotes shipping information.

* Consult toilet manufacturers for up-to-date model numbers and availability.

Geberit
2100 S. Clearwater Drive
Des Plaines, IL 60018
USA

P 800-566-2100
F 847-803-5454

→ geberit.us