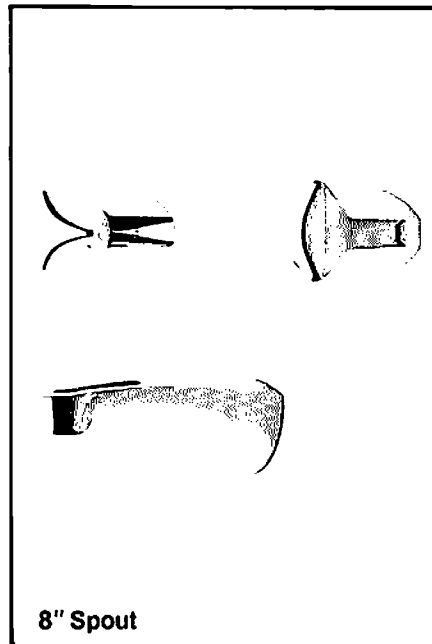


WALL MOUNT TUB FILLERS

3/4" Valves, 22-30 GPM

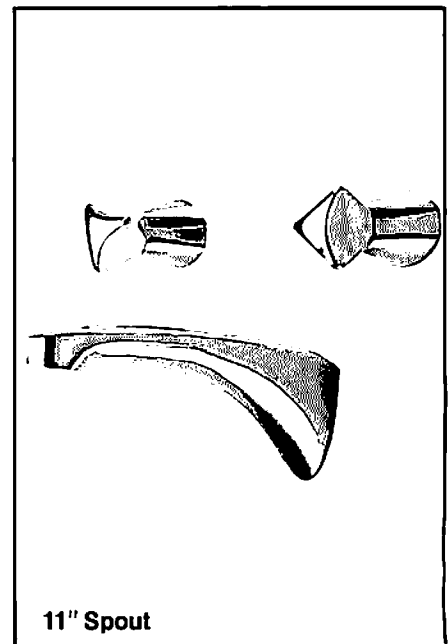


8" Spout

13.239 Polished Chrome

Diamond Handles (Not Shown)

13.238 Polished Chrome

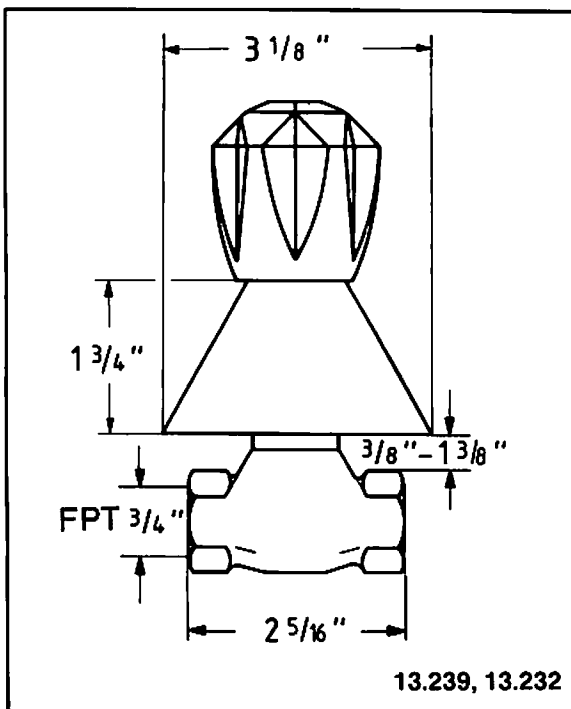


11" Spout

13.232 Polished Chrome

Diamond Handles (Not Shown)

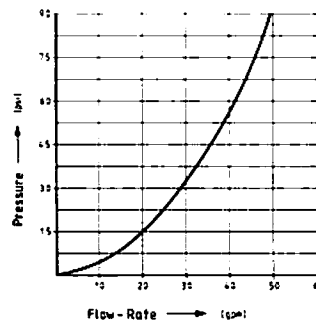
13.231 Polished Chrome

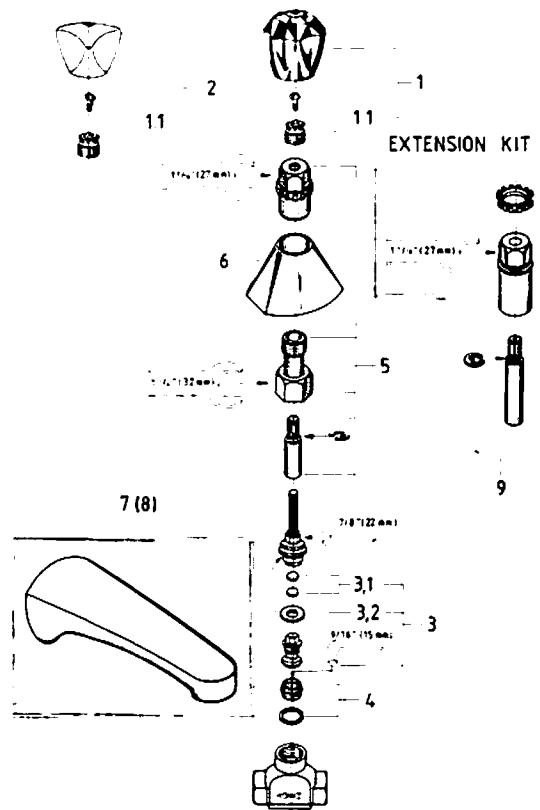


Castings shall be of all brass construction. All wear parts shall be replaceable. Plastics shall be used only where necessary to improve design. All joints and mating surfaces shall be constructed as to use the latest in o-ring and sealing techniques. All pressure joints shall be tested via both normal inlets, for leakage and correct assembly. Working water pressure—valves shall be designed for pressures up to 125 psi (8.5 bar). Working temperature—valve shall be designed for temperatures up to 180° F (82° C).

Hot and cold operating mechanism shall be of the cartridge type. Interchangeable and equipped with a non-rotating rubber seal, a non-rising stem, internal lubrication, slow acting flow action to reduce noise, and removable seats. Bodies are to be of permanent mold or of forged construction.

Bodies shall be cast brass, have 3/4" inlets and outlets for high flow 22GPM @ 45psi. System shall consist of two stop valves and a wallmounted (11," 9" or 8") spout. Handles are to be secure but removable for maintenance. Brass or acrylic handles.





13.239, 13.232

DRG REF	PART DESCRIPTION	PART NUMBER	PACK SIZE	MODEL NUMBER			
				13.239	13.238	13.232	13.231
1	Diamond Handle	06.715*	1		X		X
1.1	Handle Connection Set	45.055*	1	X	X	X	X
2	TDL Handle	06.494*	1	X		X	
3	Cartridge	07.151	1	X	X	X	X
3.1	Cartridge Spindle O-Ring	01.200	10	X	X	X	X
3.2	Body Seal Washer	01.476	10	X	X	X	X
3.3	Seat Washer and Nut	45.056	10	X	X	X	X
4	Renewable Seat Set	45.052	1	X	X	X	X
5	Secondary Spindle	06.954	1	X	X	X	X
6	Flange	03.519	1	X	X	X	X
7	11" Spout	13.211	1			X	X
8	8" Spout	13.208	1	X	X		
9	Extension Kit (Opt.)	06.839	1	X	X	X	X

*Specify Decorative Finish Color:
 G-Gold; B-Antique Brass; S-Pewter; Y-Satin Brass; L-White; R-Polished Brass.

GROHE

GROHE AMERICA, INC.
 900 Lively Blvd.
 Wood Dale, IL 60191
 Telephone: 312/350-2600
 TELEX: 287415