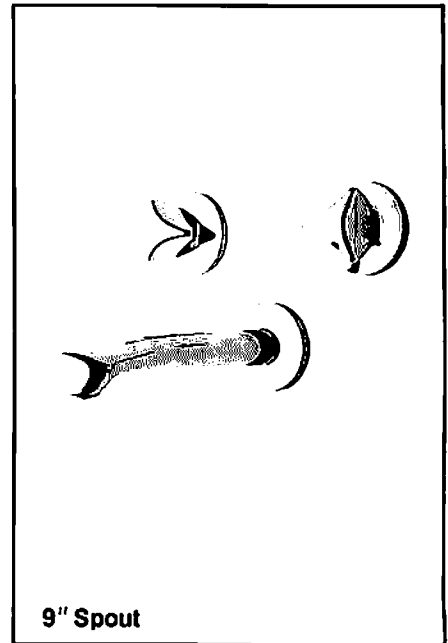


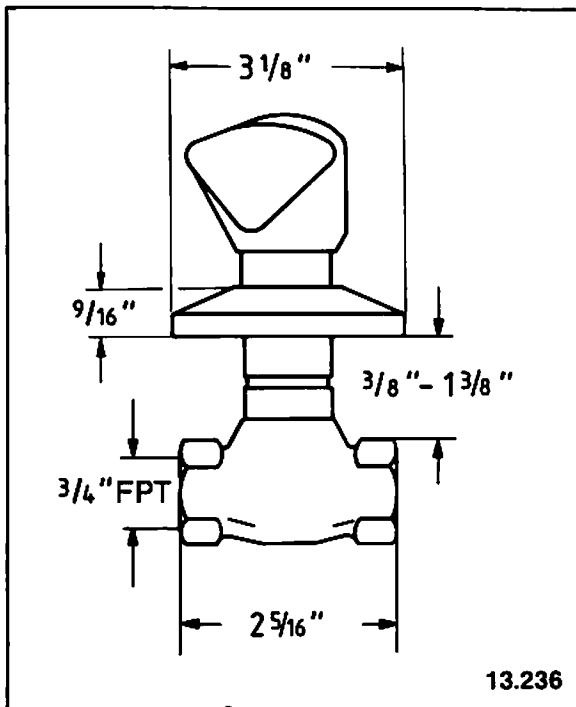
WALL MOUNT TUB FILLERS

3/4" Valves, 22-30 GPM



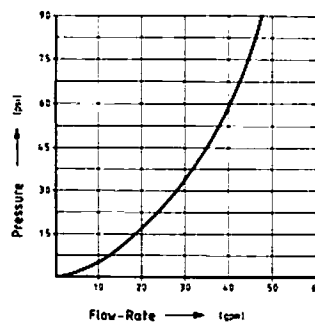
9" Spout

- 13.236 Polished Chrome
- 13.236-G Gold
- 13.236-B Antique Brass
- 13.236-S Pewter
- 13.236-Y Satin Brass



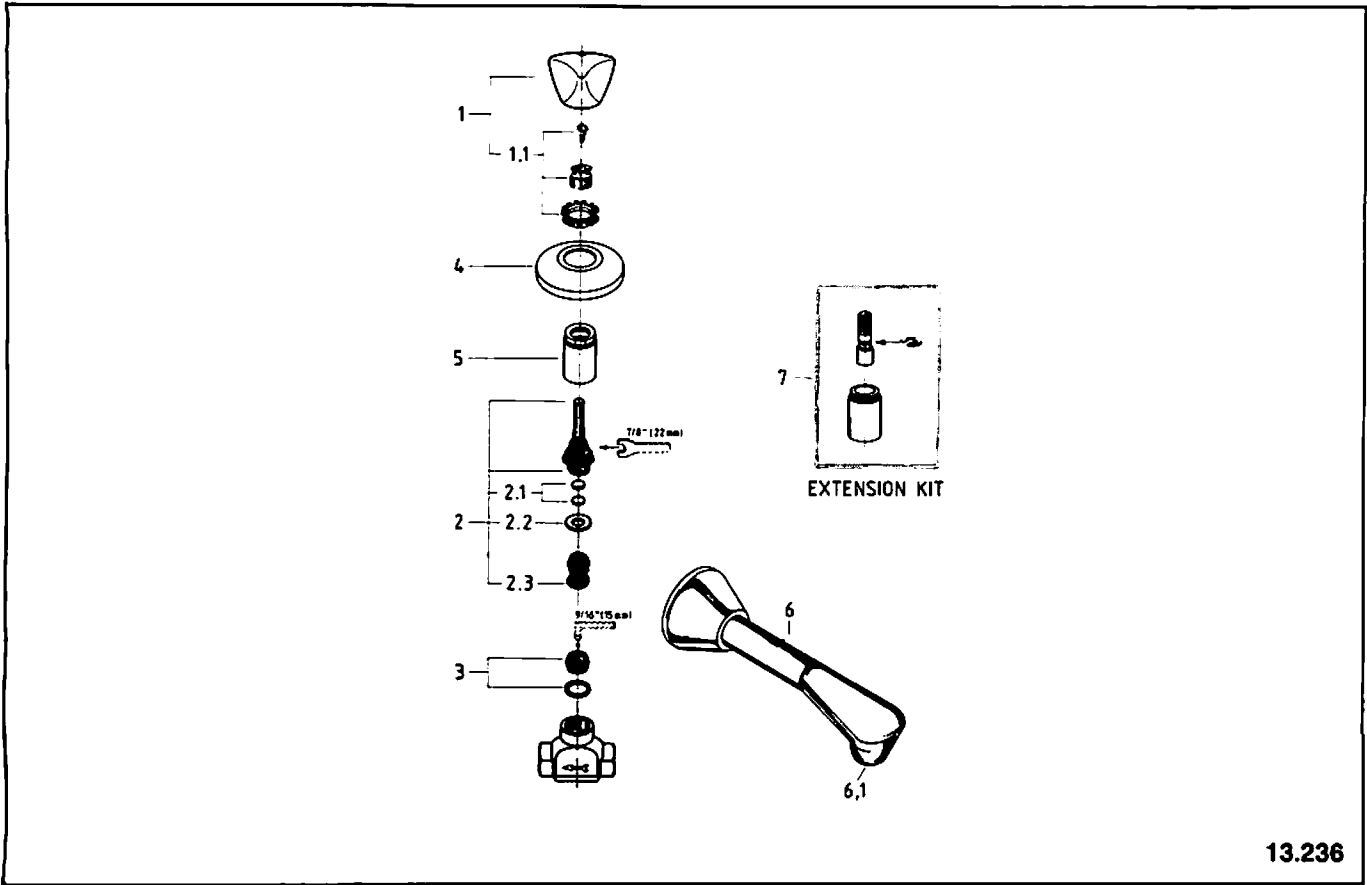
Castings shall be of all brass construction. All wear parts shall be replaceable. Plastics shall be used only where necessary to improve design. All joints and mating surfaces shall be constructed as to use the latest in o-ring and sealing techniques. All pressure joints shall be tested via both normal inlets, for leakage and correct assembly. Working water pressure—valves shall be designed for pressures up to 125 psi (8.5 bar). Working temperature—valve shall be designed for temperatures up to 180° F (82° C).

Hot and cold operating mechanism shall be of the cartridge type. Interchangeable and equipped with a non-rotating rubber seal, a non-rising stem, internal lubrication, slow acting flow action to reduce noise, and removable seats. Bodies are to be of permanent mold or of forged construction.



Bodies shall be cast brass, have 3/8" inlets and outlets for high flow 22GPM @ 45psi. System shall consist of two stop valves and a wallmounted 9" spout. Handles are to be secure but removable for maintenance. Brass handles.





13.236

DRG REF	PART DESCRIPTION	PART NUMBER	PACK SIZE	MODEL NUMBER
				13.236
1	TDL Handle	06.494*	1	X
1.1	Handle Connection Set	45.055	1	X
2	Cartridge	07.150	1	X
2.1	Cartridge Spindle O-Ring	01.200	10	X
2.2	Body Seal Washer	01.476	10	X
2.3	Seat Washer and Nut	45.056	10	X
3	Renewable Seat Set	45.052	1	X
4	Flange	06.388*	1	X
5	Valve Sleeve	06.689*	1	X
6	Spout	13.547*	1	X
6.1	Flow Regulator	13.927*	1	X
7	Extension Kit 1½" (Opt.)	06.428	1	X

*Specify Decorative Finish Color:
 G-Gold; B-Antique Brass; S-Pewter; Y-Satin Brass; L-White; R-Polished Brass.

 **GROHE**

GROHE AMERICA, INC.
 900 Lively Blvd.
 Wood Dale, IL 60191
 Telephone: 312/350-2600
 TELEX: 287415